



BALL VALVES NILE

Manually operated ball valves for plumbing installations.

- European Brass, DW quality for use in drinking water installations.
- 100% leak tested.
- Strength construction and safe installation
- Double o-ring ensures external leaktightness
- Lever handle with Epoxy protection
- Stainless-steel nuts for all handles (lever, butterfly and square)



TECHNICAL DATA SHEET BALL VALVES NILE

PRODUCT SCOPE

Quarter-turn ball valves with manual operation. They are connected to the pipe by means of treaded ends.

PRODUCT USES

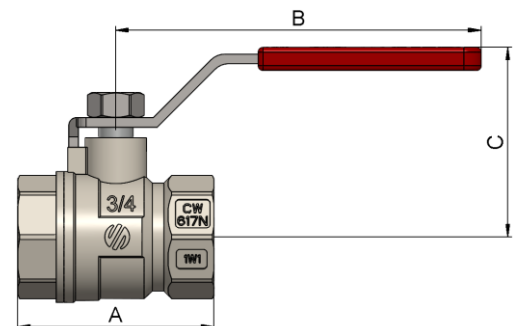
Specially designed for drinking water, heating, DHW or mixed installations, as well as distribution networks and drinking water connections.

And in general, all those applications that require a valve capable of shut off the supply of a fluid, guaranteeing tightness in accordance with the specified service conditions.

GENERAL DIMENSIONS, PRESSURE & TEMPERATURE

FEMALE – FEMALE LEVER HANDLE & RED COVER

Code	Size	A (mm)	B (mm)	C (mm)	PN (BAR)	Temp. range (°C)*
760101	1/4 F-F	40	70	35	25	-20 to 100
760102	3/8 F-F	42	70	35	25	-20 to 100
760103	1/2 F-F	46	95	47	25	-20 to 100
760104	3/4 F-F	51	95	49	25	-20 to 100
760105	1 F-F	59	113	56	25	-20 to 100
760106	1 1/4 F-F	74	113	62	25	-20 to 100
760107	1 1/2 F-F	80	153	67	25	-20 to 100
760108	2 F-F	93	153	73	25	-20 to 100
760109	2 1/2 F-F	119	173	83	25	-20 to 100



Thread according to ISO228

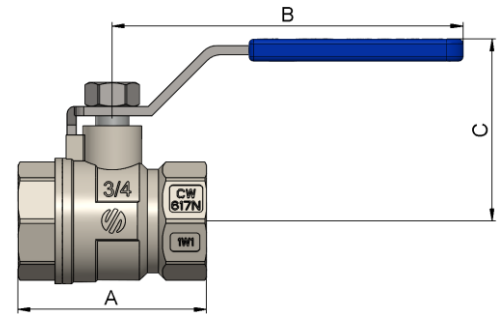
* Freezing excluded.


FEMALE – FEMALE LEVER HANDLE & BLUE COVER

Code	Size	A (mm)	B (mm)	C (mm)	PN (BAR)	Temp. range (°C)*
760403	1/2 F-F	46	95	47	25	-20 to 100
760404	3/4 F-F	51	95	49	25	-20 to 100
760405	1 F-F	59	113	56	25	-20 to 100
760406	1 1/4 F-F	74	113	62	25	-20 to 100
760407	1 1/2 F-F	80	153	67	25	-20 to 100
760408	2 F-F	93	153	73	25	-20 to 100
760409	2 1/2 F-F	119	173	83	25	-20 to 100

Thread according to ISO228

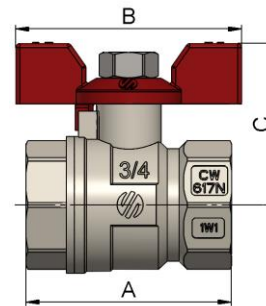
* Freezing excluded.


FEMALE – FEMALE RED BUTTERFLY HANDLE

Code	Size	A (mm)	B (mm)	C (mm)	PN (BAR)	Temp. range (°C)*
763103	1/2 F-F	46	56	38	25	-20 to 100
763104	3/4 F-F	51	56	40	25	-20 to 100
763105	1 F-F	59	80	44	25	-20 to 100

Thread according to ISO228

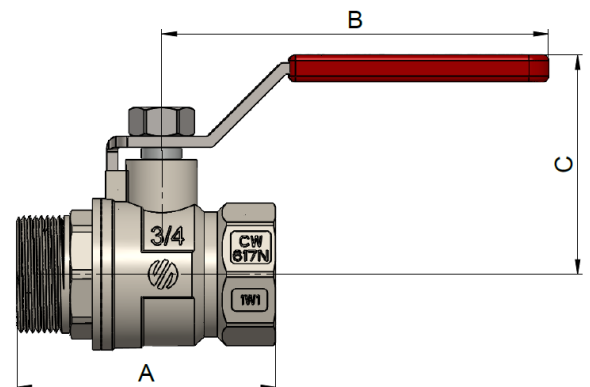
* Freezing excluded.


MALE – FEMALE LEVER HANDLE & RED COVER

Code	Size	A (mm)	B (mm)	C (mm)	PN (BAR)	Temp. range (°C)*
760602	3/8 M-F	48	70	35	25	-20 to 100
760603	1/2 M-F	53	94	44	25	-20 to 100
760604	3/4 M-F	58	95	46	25	-20 to 100
760605	1 M-F	67	113	56	25	-20 to 100
760606	1 1/4 M-F	86	113	62	25	-20 to 100
760607	1 1/2 M-F	94	153	67	25	-20 to 100
760608	2 M-F	107	153	73	25	-20 to 100

Thread according to ISO228

* Freezing excluded.

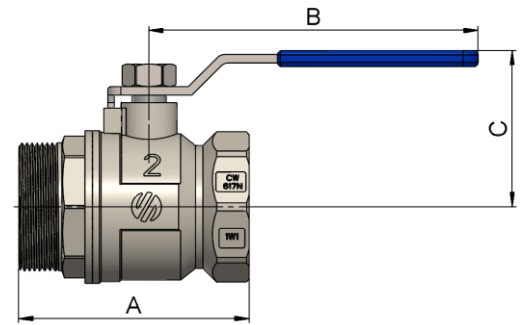



MALE – FEMALE LEVER HANDLE & BLUE COVER

Code	Size	A (mm)	B (mm)	C (mm)	PN (BAR)	Temp. range (°C)*
760606AZ	1 1/4 M-F	86	113	62	25	-20 to 100
760607AZ	1 1/2 M-F	94	153	67	25	-20 to 100
760608AZ	2 M-F	107	153	73	25	-20 to 100

Thread according to ISO228

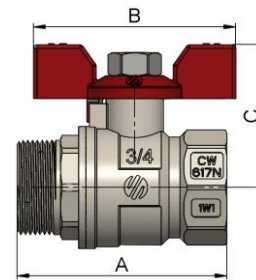
* Freezing excluded.


MALE – FEMALE RED BUTTERFLY HANDLE

Code	Size	A (mm)	B (mm)	C (mm)	PN (BAR)	Temp. range (°C)*
763603	1/2 M-F	53	56	38	25	-20 to 100
763604	3/4 M-F	58	56	40	25	-20 to 100
763605	1 M-F	67	80	44	25	-20 to 100

Thread according to ISO228

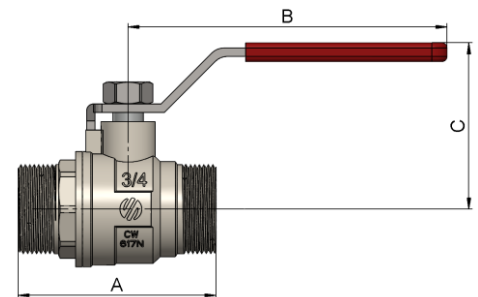
* Freezing excluded.


MALE – MALE LEVER HANDLE & RED COVER

Code	Size	A (mm)	B (mm)	C (mm)	PN (BAR)	Temp. range (°C)*
761102	3/8 M-M	48	70	35	25	-20 to 100
761103	1/2 M-M	53	95	47	25	-20 to 100
761104	3/4 M-M	58	87	49	25	-20 to 100
761105	1 M-M	67	113	56	25	-20 to 100
761106	1 1/4 M-M	86	113	62	25	-20 to 100
761107	1 1/2 M-M	94	153	67	25	-20 to 100
761108	2 M-M	107	153	73	25	-20 to 100

Thread according to ISO228

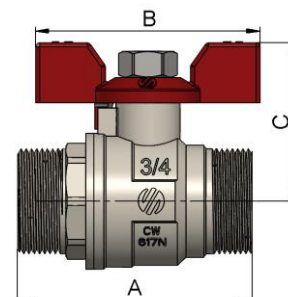
* Freezing excluded.


MALE – MALE RED BUTTERFLY HANDLE

Code	Size	A (mm)	B (mm)	C (mm)	PN (BAR)	Temp. range (°C)*
763903	1/2 M-M	53	56	38	25	-20 to 100
763904	3/4 M-M	58	56	40	25	-20 to 100
763905	1 M-M	67	80	44	25	-20 to 100

Thread according to ISO228

* Freezing excluded.

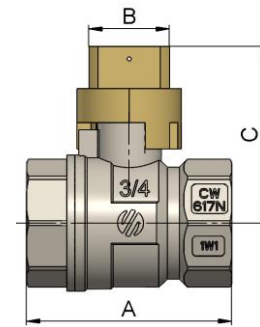



FEMALE – FEMALE SQUARE

Code	Size	A (mm)	B (mm)	C (mm)	PN (BAR)	Temp. range (°C)*
765103	1/2 M-F	46	20	42	25	-20 to 100
765104	3/4 M-F	51	20	44	25	-20 to 100
765105	1 M-F	59	20	50	25	-20 to 100

Thread according to ISO228

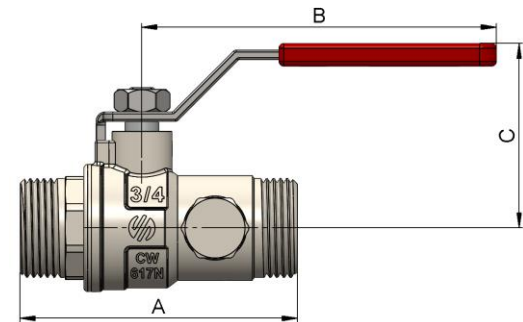
* Freezing excluded.


MALE – MALE WITH PURGER LEVER HANDLE & RED COVER

Code	Size	A (mm)	B (mm)	C (mm)	PN (BAR)	Temp. range (°C)*
762403	1/2 M-M	70	95	47	25	-20 to 100
762404	3/4 M-M	74	95	49	25	-20 to 100

Thread according to ISO228

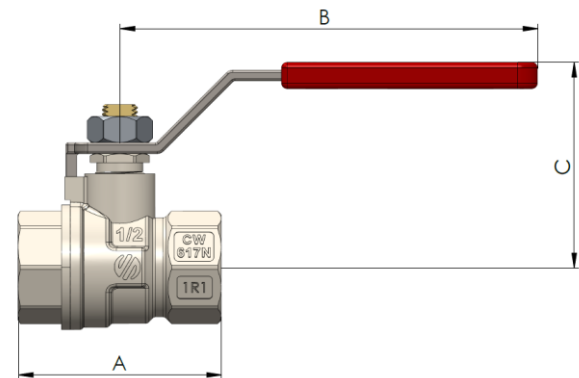
* Freezing excluded.


FEMALE – FEMALE WITH GLAND NUT LEVER HANDLE & RED COVER

Code	Size	A (mm)	B (mm)	C (mm)	PN (BAR)	Temp. range (°C)*
760503	1/2 F-F	46	95	47	25	-20 to 100
760504	3/4 F-F	51	95	49	25	-20 to 100
760505	1 F-F	59	113	56	25	-20 to 100

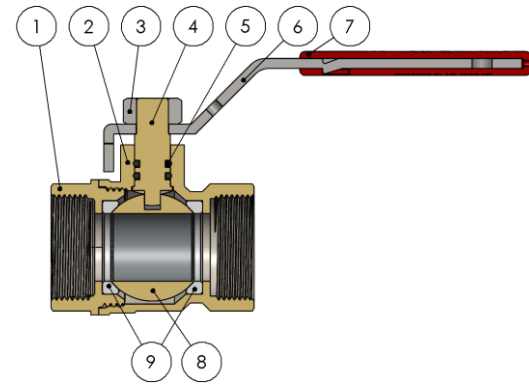
Thread according to ISO228

* Freezing excluded.




MATERIALS
MODELS FEMALE – FEMALE LEVER HANDLE

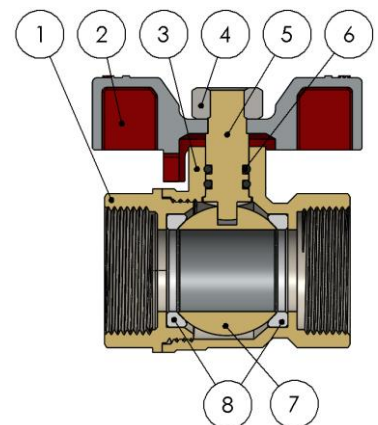
Item	Component	Material	Finishing
1	Lateral	Brass CW617N	Nickel plated
2	Body	Brass CW617N	Nickel plated
3	Nut	Stainless Steel	Stainless Steel
4	Stem	Brass CW617N	Nickel plated
5	O-rings	EPDM	-
6	Handle	Steel	Grey Epoxy
7	Cover	LDPE	Blue or red*
8	Ball	Brass CW617N	Chrome plated
9	Seat	PTFE	-



* Finishings according to model.

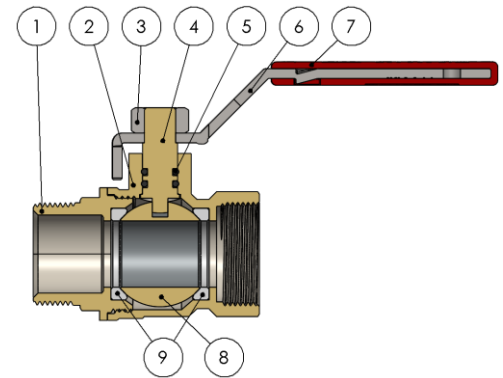
MODELS FEMALE – FEMALE BUTTERFLY HANDLE

Item	Component	Material	Finishing
1	Lateral	Brass CW617N	Nickel plated
2	Handle	ZAMAK	Red
3	Body	Brass CW617N	Nickel plated
4	Nut	Stainless Steel	Stainless Steel
5	Stem	Brass CW617N	Nickel plated
6	O-rings	EPDM	-
7	Ball	Brass CW617N	Chrome plated
8	Seat	PTFE	-




MODELS MALE – FEMALE LEVER HANDLE

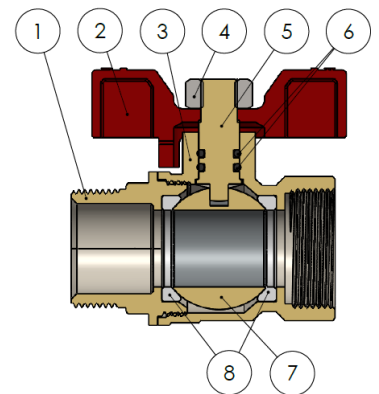
Item	Component	Material	Finishing
1	Lateral	Brass CW617N	Nickel plated
2	Body	Brass CW617N	Nickel plated
3	Nut	Stainless Steel	Stainless Steel
4	Stem	Brass CW617N	Nickel plated
5	O-rings	EPDM	-
6	Handle	Steel	Grey Epoxy
7	Cover	LDPE	Blue or red *
8	Ball	Brass CW617N	Chrome plated
9	Seat	PTFE	-



* Finishings according to model.

MODELS MALE – FEMALE BUTTERFLY HANDLE

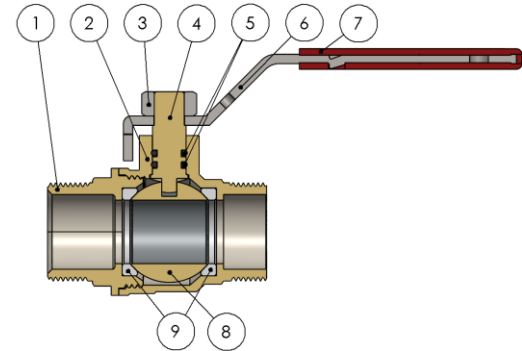
Item	Component	Material	Finishing
1	Lateral	Brass CW617N	Nickel plated
2	Handle	ZAMAK	Red
3	Body	Brass CW617N	Nickel plated
4	Nut	Stainless Steel	Stainless Steel
5	Stem	Brass CW617N	Nickel plated
6	O-rings	EPDM	-
7	Ball	Brass CW617N	Chrome plated
8	Seat	PTFE	-





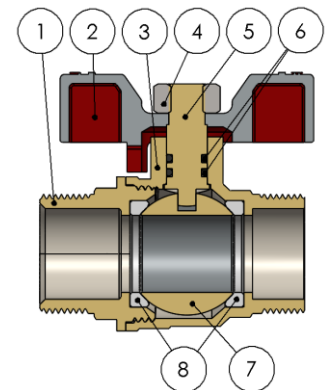
MODELS MALE – MALE LEVER HANDLE

Item	Component	Material	Finishing
1	Lateral	Brass CW617N	Nickel plated
2	Body	Brass CW617N	Nickel plated
3	Nut	Stainless Steel	Stainless Steel
4	Stem	Brass CW617N	Nickel plated
5	O-rings	EPDM	-
6	Handle	Steel	Grey Epoxy
7	Cover	LDPE	Red
8	Ball	Brass CW617N	Chrome plated
9	Seat	PTFE	-



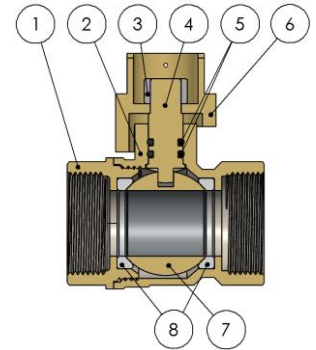
MODELS MALE – MALE BUTTERFLY HANDLE

Item	Component	Material	Finishing
1	Lateral	Brass CW617N	Nickel plated
2	Handle	ZAMAK	Red
3	Body	Brass CW617N	Nickel plated
4	Nut	Stainless Steel	Stainless Steel
5	Stem	Brass CW617N	Nickel plated
6	O-rings	EPDM	-
7	Ball	Brass CW617N	Chrome plated
8	Seat	PTFE	-

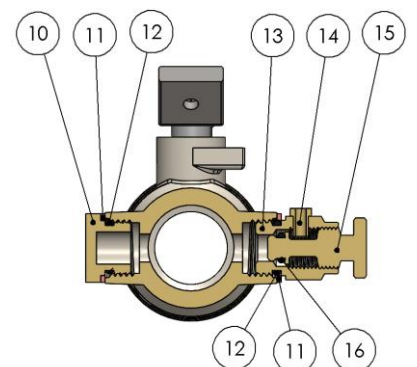
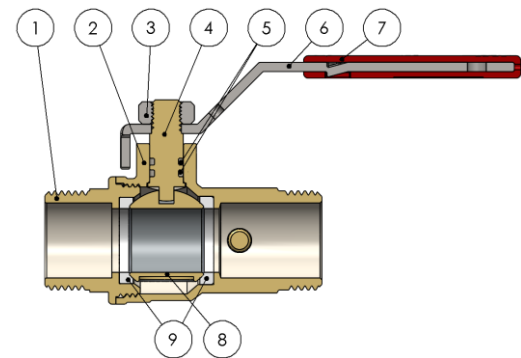



MODELS FEMALE – FEMALE SQUARE HANDLE

Item	Component	Material	Finishing
1	Lateral	Brass CW617N	Nickel plated
2	Body	Brass CW617N	Nickel plated
3	Nut	Stainless Steel	Stainless Steel
4	Stem	Brass CW617N	Nickel plated
5	O-rings	EPDM	-
6	Square handle	Brass CW617N	Brass colour
7	Ball	Brass CW617N	Chrome plated
8	Seat	PTFE	-

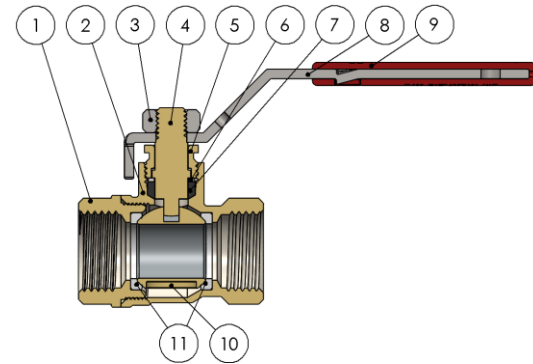
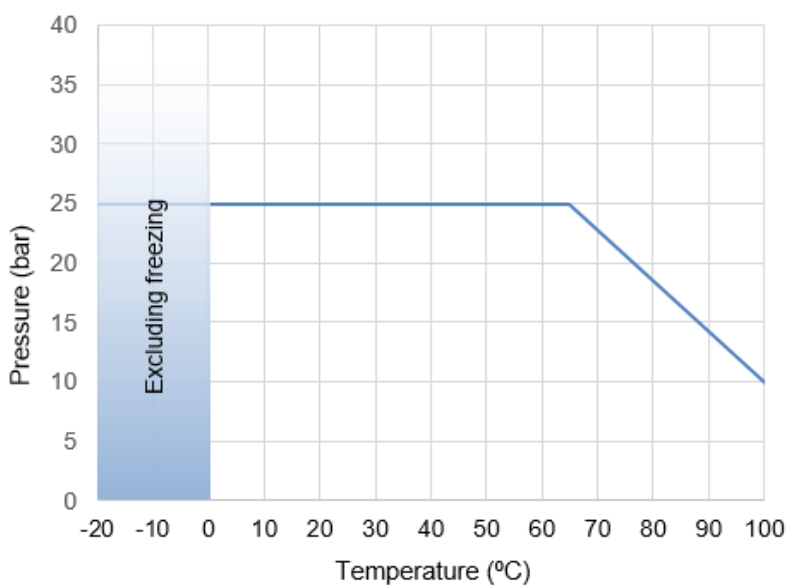

MODELS MALE – MALE WITH PURGER LEVER HANDLE

Item	Component	Material	Finishing
1	Lateral	Brass CW617N	Nickel plated
2	Body	Brass CW617N	Nickel plated
3	Nut	Stainless Steel	Stainless Steel
4	Stem	Brass CW617N	Nickel plated
5	O-rings	EPDM	-
6	Handle	Steel	Grey Epoxy
7	Cover	LDPE	Red
8	Ball	Brass CW617N	Chrome plated
9	Seat	PTFE	-
10	Cap	Brass CW617N	Brass colour
11	Seal	Fiber	-
12	O-ring	NBR	-
13	Purger	Brass CW617N	Nickel plated
14	Pin	Brass CW617N	Brass colour
15	Manual purger	Brass CW617N	Brass colour
16	O-ring	NBR	-




MODELS FEMALE – FEMALE WITH GLAND NUT LEVER HANDLE

Item	Component	Material	Finishing
1	Lateral	Brass CW617N	Nickel plated
2	Body	Brass CW617N	Nickel plated
3	Nut	Stainless Steel	Stainless Steel
4	Stem	Brass CW617N	Nickel plated
5	Gland nut	Brass CW617N	Nickel plated
6	Washer	Brass CW617N	Brass colour
7	Gland	PTFE	-
8	Handle	Steel	Grey Epoxy
9	Cover	LDPE	Red
10	Ball	Brass CW617N	Chrome plated
11	Seat	PTFE	-


TECHNICAL DATA
Pressure vs temperature

Fluid Compatibility

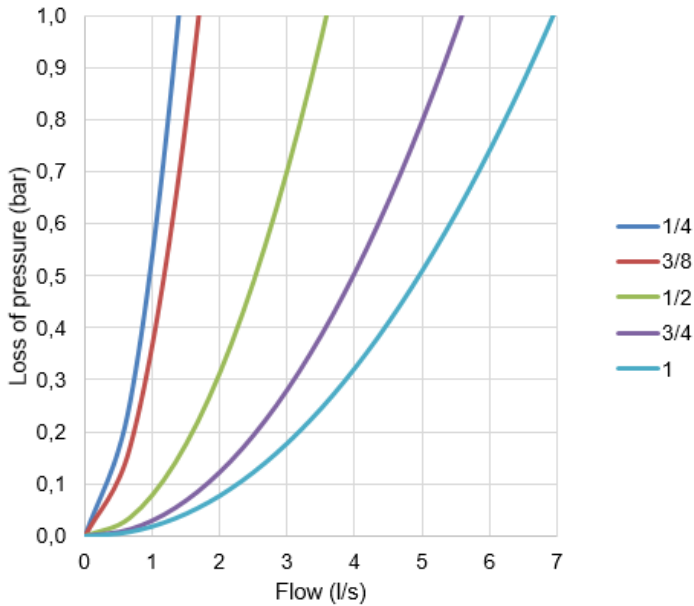
Fluid	Compatibility
Drinking water	Excellent
Water + 50% Glycol (máximum)	Good

For any other fluid, please contact Arco technical Service.

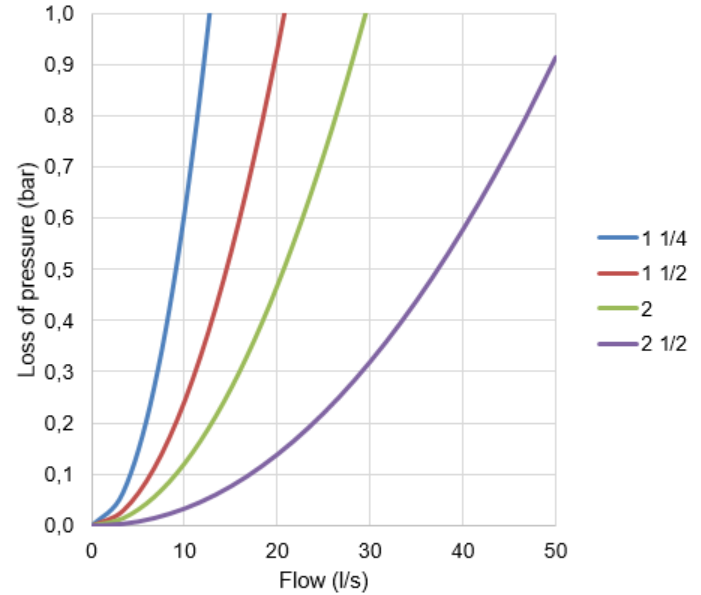


Hydraulic features.
Flow vs Loss of pressure.

Models 1/4 to 1



Models 1 1/4 to 2 1/2



Size	1/4	3/8	1/2	3/4	1	1 1/4	1 1/2	2	2 1/2
Kv	5,0	6,1	12,9	20,1	25,0	45,6	75,0	106,0	188,0

Kv (m³/h), cubic meters per hour that flow through the valve generating a loss of pressure of 1 bar.

INSTALATION INSTRUCTIONS

Before any action is taken, the water supply to the system must be shut off. Make sure that there is no dirt or foreign objects in the connection to the network. Apply suitable sealing material to the threads. The valve installation should be carried out using a suitable tool, preferably a fixed or adjustable wrench; hold it by the ends, applying force to the flat surfaces to avoid deforming these areas due to excessive pressure from the tool. Restore the water supply and verify the tightness of all connections before leaving the valve in service.

Do not disassemble or modify the internal components of the valve assembly, as this may cause external leaks. The maximum service life of ball valves is achieved when they are fully open or closed; it is recommended to avoid using the valve in intermediate positions continuously.



All products have an environmental impact during its life cycle, even once retired. All the components of this product can be recycled. Once the use is over, leave the valve in any recycling green point. Válvulas Arco reserves the right to change the product or any of its technical specifications without prior notice.

FT19000ING — Edition 2024-12