

GATE VALVE WITH METALLIC CLOSURE

Gate valves with metallic closure for water flow regulation and use by turning the handwheel.

- Wide range of regulation.
- More flow with a larger passage section.
- Low noise level.



TECHNICAL SHEET GATE VALVE WITH METALLIC CLOSURE

PRODUCT DESCRIPTION

The gate valve with metallic closure allows to regulate the opening and closing of water networks by turning the handwheel connected to the spindle.

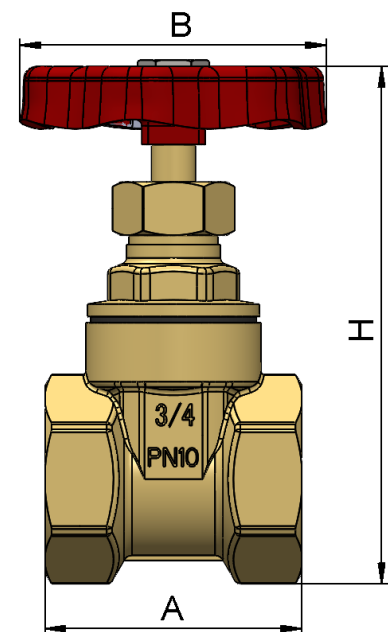
PRODUCT SCOPE

- Plumbing installations of cold water and sanitary hot water.

GENERAL DIMENSIONS, PRESSURE AND TEMPERATURE

Code	Size	A (mm)	B (mm)	H (mm)	PN (BAR)	Temp. (°C)*
190403	1/2 F-F	37	50	78	16	0 to 85
190404	3/4 F-F	41	50	83	16	0 to 85
190405	1 F-F	44	59	95	16	0 to 85
190406	1 1/4 F-F	50	59	115	16	0 to 85
190407	1 1/2 F-F	51	70	124	16	0 to 85
190408	2 F-F	61	70	156	16	0 to 85
190409	2 1/2 F-F	66	98	204	16	0 to 85
190410	3 F-F	84	109	237	16	0 to 85
190411	4 F-F	80	131	295	16	0 to 85

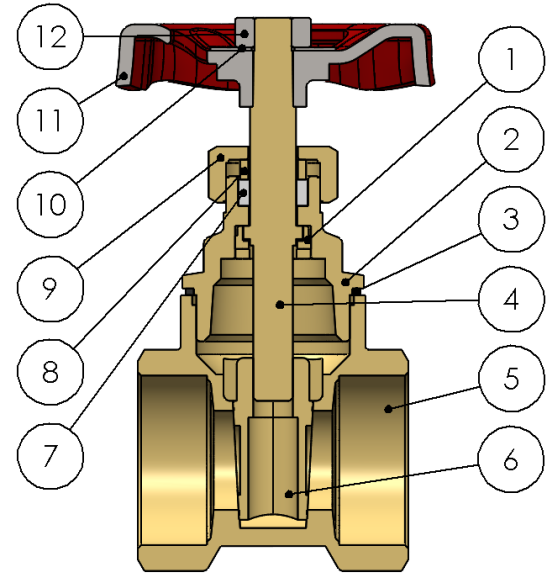
* Freezing is excluded.





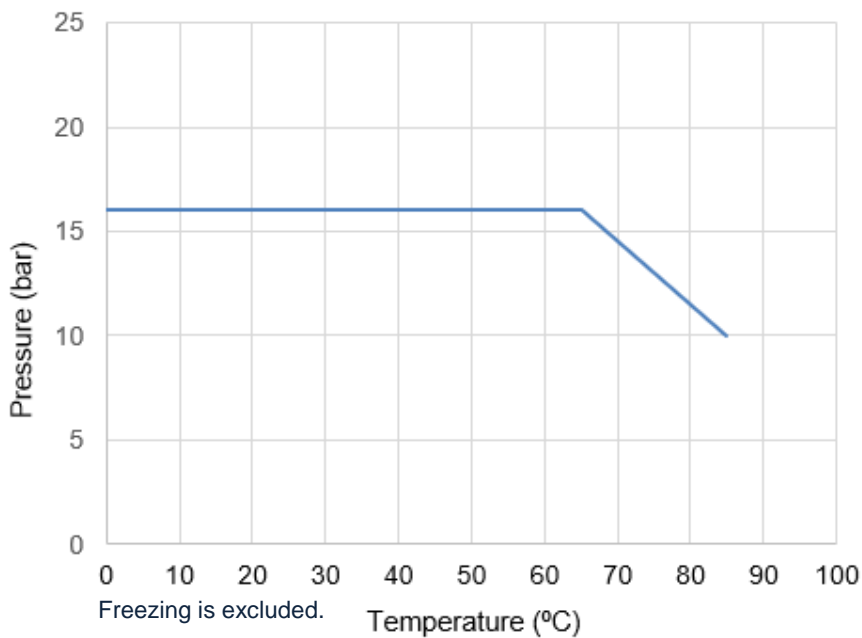
MATERIALS

Item	Component	Material	Finishing
1	Stem ring	Brass	Brass color
2	Top cap	Brass	Brass color
3	O-ring	NBR	-
4	Stem	Brass	Brass color
5	Body	Brass	Brass color
6	Gate	Brass	Brass color
7	Gland	PTFE	-
8	Washer	Brass	Brass color
9	Gland nut	Brass	Brass color
10	Washer	Aluminium	-
11	Handle	Steel	Red
12	Nut	Steel	-



TECHNICAL DATA

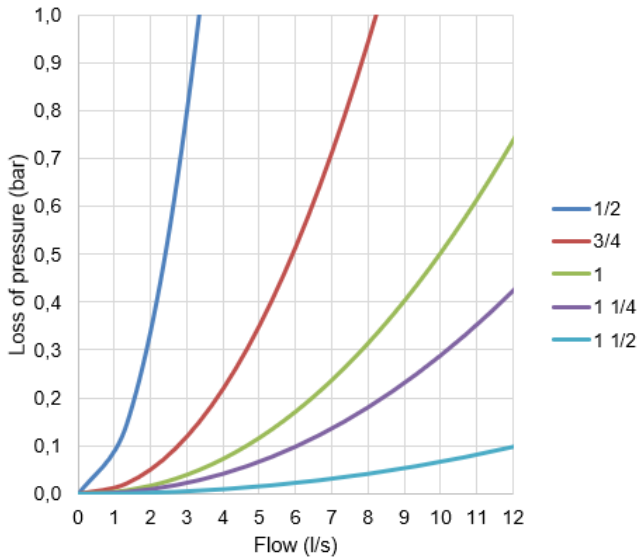
Pressure vs. temperature.



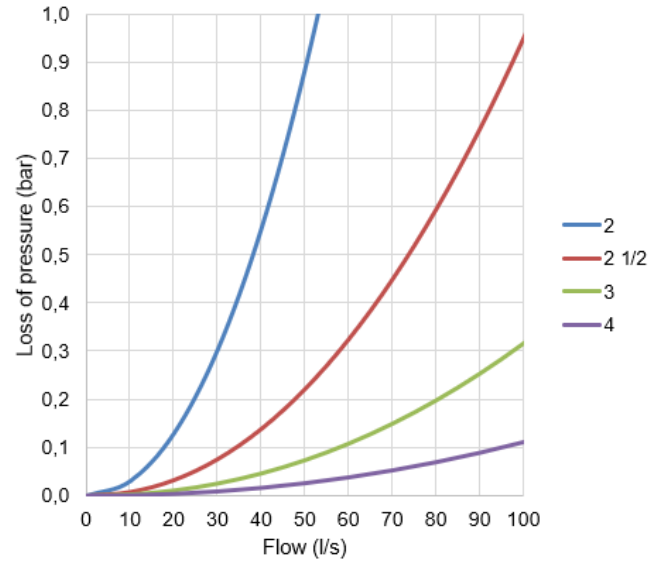


Hydraulic features. Flow vs. loss of pressure.

Models from 1/2 to 1 1/2



Models from 2 to 4



Size	1/2	3/4	1	1 1/4	1 1/2	2	2 1/2	3	4
Kv	12	29,6	50	65	131	191	369	622	1026

Kv (m³/h), cubic meters per hour that flow through the valve generating a loss of pressure of 1 bar.

Compatibility with fluids

Fluid	Compatibility
Water	Good
Water + 50% Glycol	Good

For any other fluid, please contact Arco technical service.

INSTALLATION AND OPERATION INSTRUCTIONS

Before performing any action, the water supply to the installation should be shut off. Make sure there is no dirt or foreign objects in the connection to the network. Apply the appropriate sealing material to the inlet thread of the valve.

It do not require specific maintenance.

The valve should be installed with a suitable tool and preferably use the planes located in the inlet part, in case of using the planes located in the central section never apply excessive forces as it could cause damage to the valve.

Do not alter the assembly of the valve components; replacement or disassembly of the handle may cause external leaks.



All products have an environmental impact during its life cycle, even once retired. All the components of this product can be recycled. Once the use is over, leave the valve in any recycling green point. Válvulas Arco reserves the right to change the product or any of its technical specifications without prior notice.

FT08060ING – Edition 2024-12